



VERSIONS

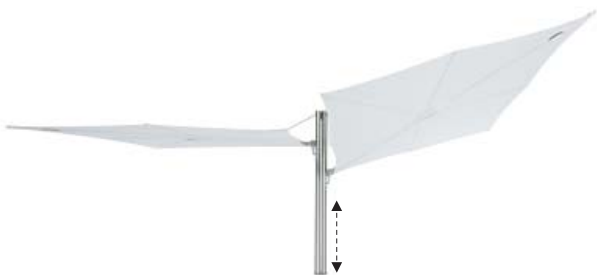


Duo Spectra



Quatro Spectra

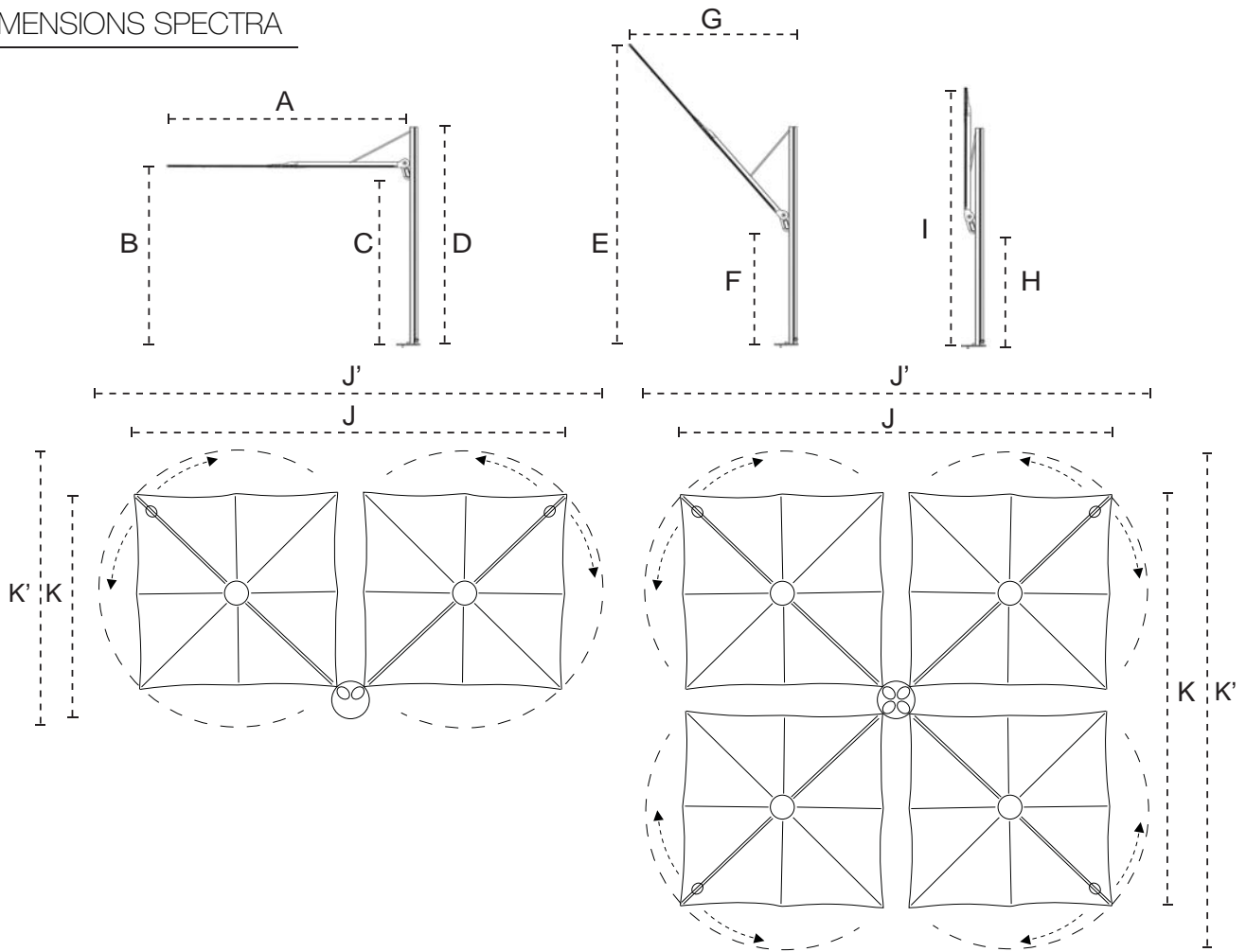
POSITIONS



COLORS

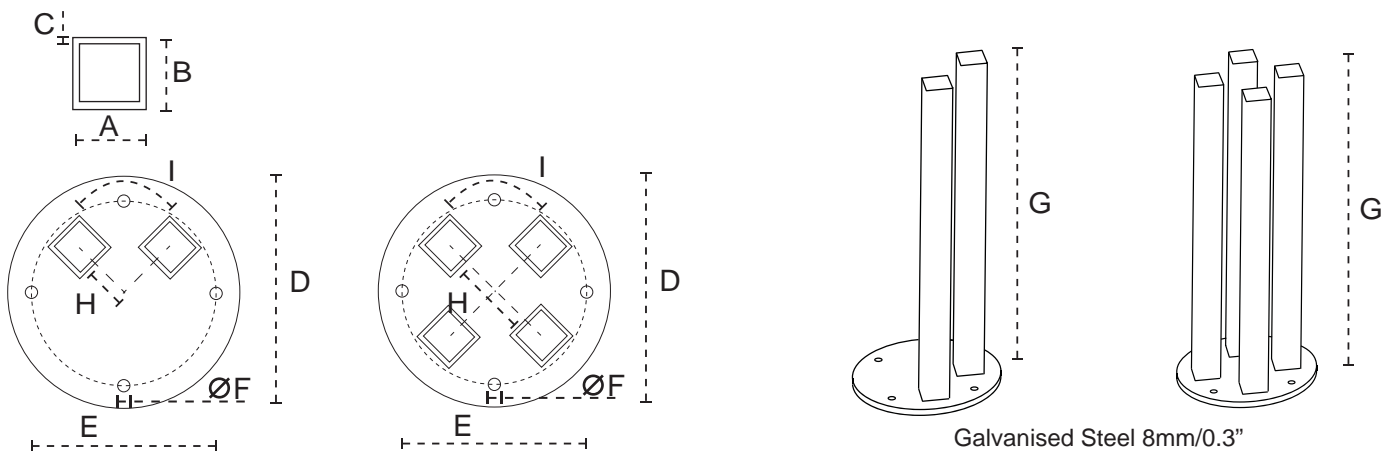
PREMIUM	Alba	Roma	Taupe	Stonegray	Mandarine	Red	Terra	Sunflower	Camel	Mint	Nero
	LIMITED	Canvas	Taupe	Granite	Orange	Paris Red	Pink	Gold	Lagoon	Olive	

DIMENSIONS SPECTRA



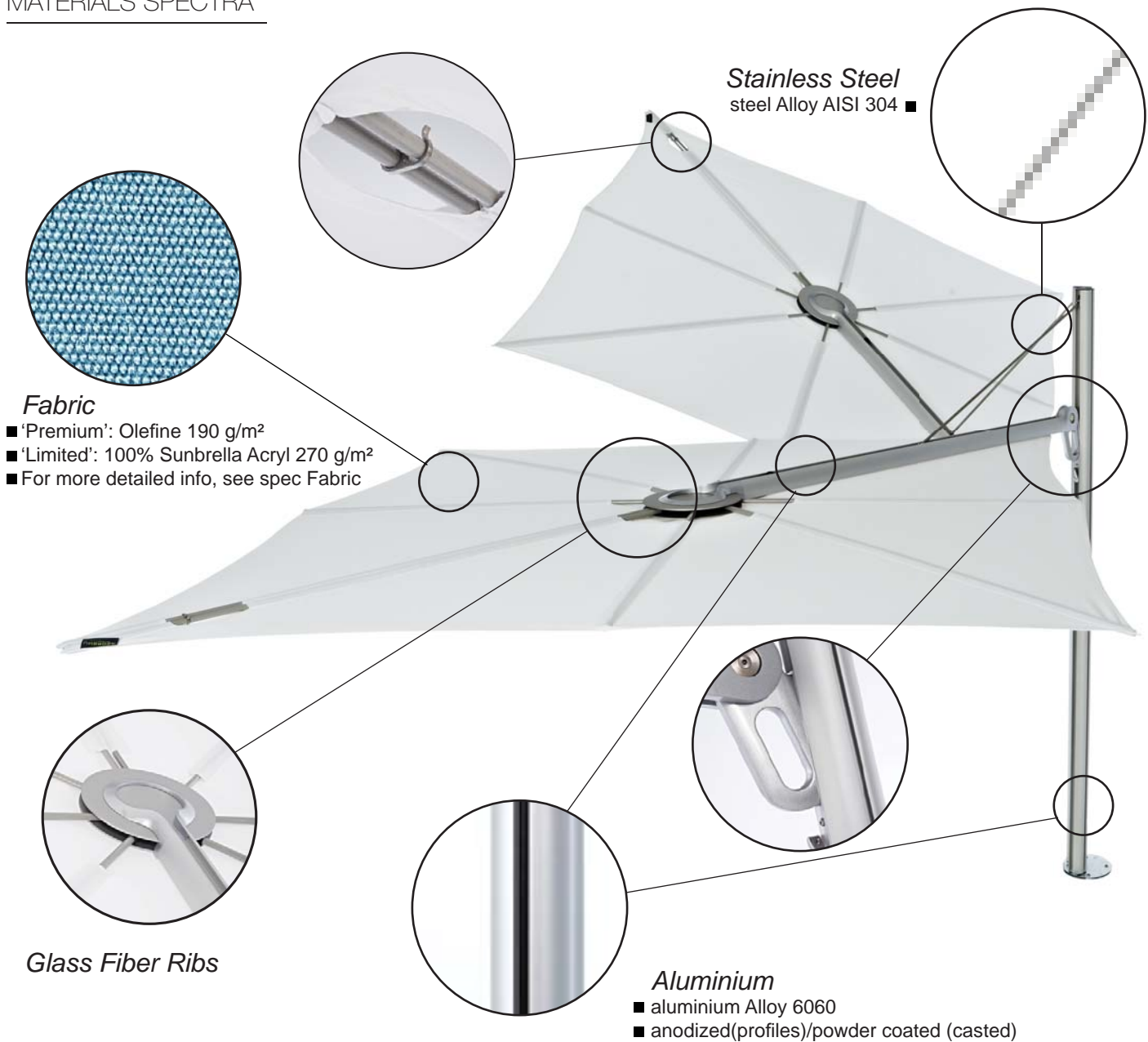
	A cm/ft	B cm/ft	C cm/ft	D cm/ft	E cm/ft	F cm/ft	G cm/ft	H cm/ft	I cm/ft	J cm/ft	J' cm/ft	K cm/ft	K' cm/ft
Spectra Duo	253 8'4"	197 6'6"	187 6'2"	255 8'4"	340 11'2"	110 3'7"	210 6'11"	50 1'8"	270 8'10"	540 17'9"	644 21'2"	285 9'4"	337 11'1"
Spectra Quatro	253 8'4"	197 6'6"	187 6'2"	255 8'4"	340 11'2"	110 3'7"	210 6'11"	50 1'8"	270 8'10"	540 17'9"	644 21'2"	540 17'9"	644 21'2"

DIMENSIONS/MATERIALS SPIGOT

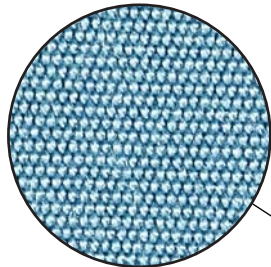


	A mm/inch	B mm/inch	C mm/inch	D mm/inch	E mm/inch	F mm/inch	G mm/inch	H mm/inch	I °
Spigot for Duo Spectra	40/1.6"	40/1.6"	3/0.12"	260/10"	170/6.7"	11/0.43"	490/17.3"	40/1.6"	45
Spigot for Quatro Spectra	40/1.6"	40/1.6"	3/0.12"	260/10"	170/6.7"	11/0.43"	490/17.3"	80/3.1"	45

MATERIALS SPECTRA

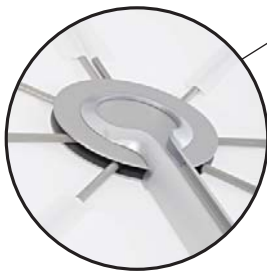


Stainless Steel
steel Alloy AISI 304 ■

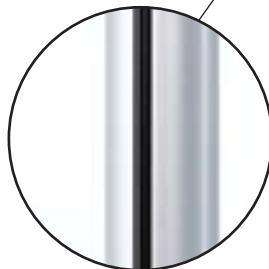


Fabric

- 'Premium': Olefine 190 g/m²
- 'Limited': 100% Sunbrella Acryl 270 g/m²
- For more detailed info, see spec Fabric



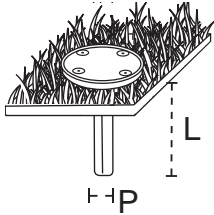

Glass Fiber Ribs



Aluminium

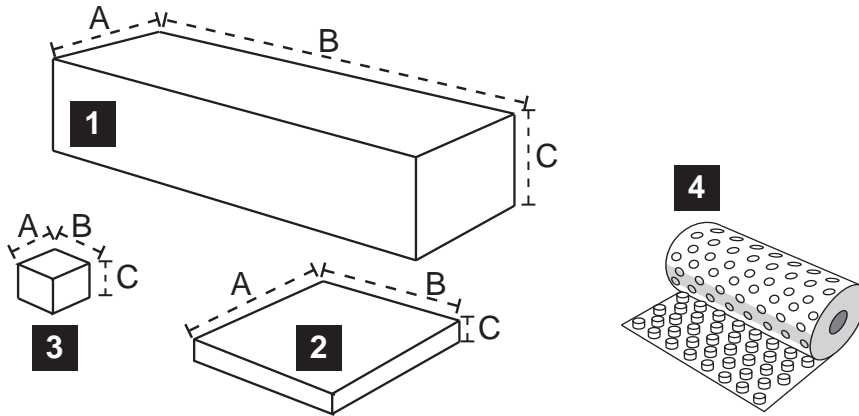
- aluminium Alloy 6060
- anodized(profiles)/powder coated (casted)

OPTIONAL BASES

	L	P	
	35 cm	40x40x3 mm	
1'1.8"	1.6"x1.6"x0.12"	n/a	

Galvanised steel
Pit of 60x60x40cm ■
or 2"x2"x1'4" fill with concrete ■

PACKAGING AND TRANSPORT



	qty #	Type	A cm/ft,inch	B cm/ft,inch	C cm/ft,inch	Net weight kg/lb	Brut weight kg/lb
Umbrella Box	1	1	36/1'2"	270/8'10"	33/1'1"	6,4/14.1	32/70.5
Support Duo	1	4	27/10.6"	27/10.6"	50/1'7.7"	n/a	5.6/12.3
Support Quattro	1	4	27/10.6"	27/10.6"	50/1'7.7"	n/a	8.7/19.2
Box Fixation kit Duo	1	3	12/4.7"	10/3.9"	5/2"	0.04/0.09	0.2/0.44
Box Fixation kit Quattro	1	3	12/4.7"	10/3.9"	5/2"	0.04/0.09	0.2/0.44
In-Ground Fitting	1	4	22/8.7"	22/8.7"	38/1'3"	n/a	3.4/7.5

NICE TO KNOW

■ All boxes include:



Storage Bag

- PU coated fabric
- Can resist a water column of 500mm/1'8"
- Easy to use thanks to zipper and auxiliary tool

- All parts can be ordered separately
- Designed and made in Belgium
- 2 yrs warranty on structure, 3 yrs on decoloration of fabric
- For more info check

www.umbrosa.be
www.youtube.com/UmbrosalInnovation
www.facebook.com/Umbrosa

- As a guideline we refer to the following wind speeds
6 beaufort, 50km/h, 31 mph

Tested at **TU Delft**



CONTACT

UMBROSA[®]
 UNIQUE SHADE DESIGN

Heirweg 198A
 8800 Roeselare
 BELGIUM

T: +32 51 30.22.60
 F: +32 51 30.22.62
 E: info@umbrosa.be

The content of this document, in particular the mentioned models, is protected by copyrights and/or design rights. The present document and its content is communicated to you for information purposes only. Any partial or total reproduction or any other use without our prior written permission is strictly prohibited. This technical sheet remains subject to possible changes. Of course we do our best to eliminate all mistakes, but Umbrosa is not responsible for the errors in the documentation of products. All measurements are approximate and are provided for informational purposes only.